

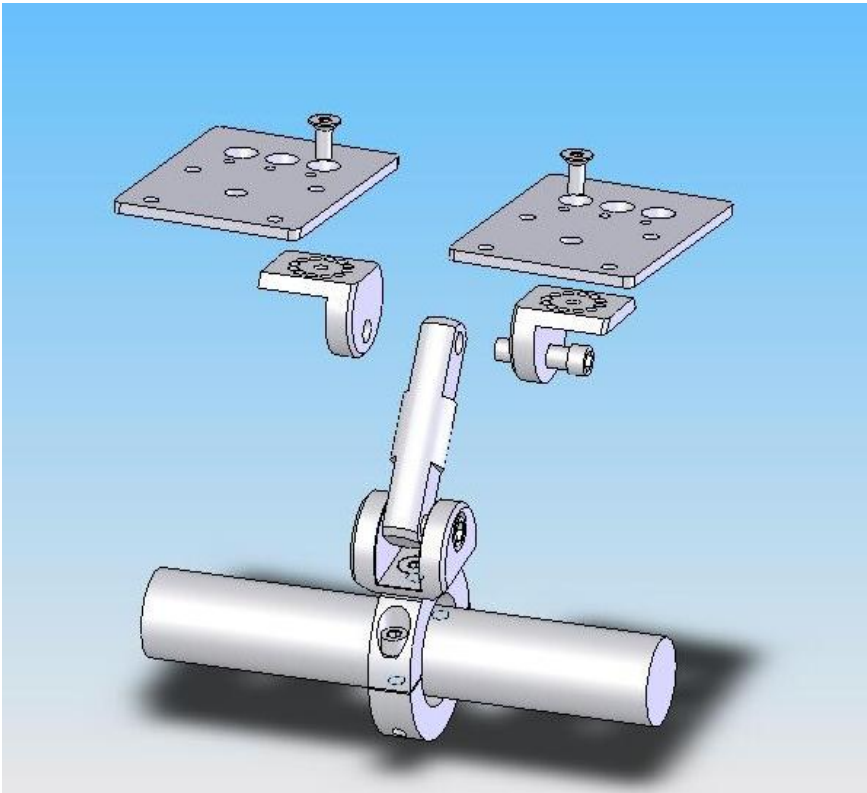
TECHMOUNT

Handlebar Mount System (Dual Top Plate)

Instructions:

Handle Bar Mount Instructions:

The Handle Bar Mount has a rotating top plates that can be installed with any one, of the three mounting holes, in the top plate. This allows for more flexibility in mounting.



Step 1. Remove the Shaft Pivot Bolt holding the shaft onto the Base Pivot. Use supplied 3/16" hex key. Remove the shaft by lifting straight out. This allows access to a 1/8" head bolt inside the Base Pivot. Note: The Base Pivot can be turned to any direction needed.

Step 2. Remove the two fasteners holding the clamp together and separate the two halves.

Step 3. Slip the bottom half under your handle bar in a suitable location and re-install the top half. Tighten the Clamp Mount Bolt and the Pivot Mount Bolt until you cannot move the clamp assembly.

Step 4. Re-install the shaft from Step 1 and tighten that bolt.

Step 5. Decide if the top plates are mounted in a suitable mounting hole. If not remove the mounting bolt that holds it in place and re-install as necessary. Apply the supplied Velcro to the top plate and to the device you wish to mount.