



# MIDLAND<sup>®</sup> X-TRA TALK

*GXT740/785 Series*

**GMRS/FRS Radio**

**OWNER'S MANUAL**



*[www.midlandradio.com](http://www.midlandradio.com)*



|  |         |
|--|---------|
| <b>TABLE OF CONTENTS</b>                   | 2       |
| <b>Introduction</b>                        | 3       |
| <b>Important Notice, FCC Licensing</b>     | 4       |
| <b>LCD Display</b>                         | 5       |
| <b>Controls</b>                            | 5       |
| <b>Battery Installation</b>                | 6       |
| <b>Installing the Belt Clip</b>            | 6       |
| <b>Charging the Optional Battery Pack</b>  | 7       |
| <b>Low Battery Level Indicator</b>         | 7       |
| <b>Operating Your Radio</b>                | 8 - 14  |
| <b>External Speaker/Microphone Jack</b>    | 14      |
| <b>Troubleshooting Guide</b>               | 15      |
| <b>Use and Care</b>                        | 15      |
| <b>Specifications and Frequency Charts</b> | 16 - 17 |
| <b>Warranty Information</b>                | 18      |
| <b>MIDLAND Family Products</b>             | 19      |
| <b>Accessories</b>                         | 20      |
| <b>Accessories Order Form</b>              | 21      |

## Welcome to the world of Midland electronics

Congratulations on your purchase of a high quality MIDLAND product. Your 2-way radio represents the state-of-the-art in high-tech engineering. Designed for GMRS (General Mobile Radio Service) operation, this compact package is big in performance. It is a quality piece of electronic equipment, skillfully constructed with the finest components. The circuitry is all solid-state and mounted on a rugged printed circuit board. Your two-way radio is designed for reliable and trouble-free performance for years to come.

### Features

- 42 GMRS/FRS Channel
- 142 Privacy Codes (38 CTCSS / 104 DCS)
- VOX
- 10 Selectable Call Alert (5 additional Animal Sound on GXT785)
- NOAA Weather Radio
- NOAA Weather Scan
- NOAA Weather Alert
- VIBRATE ALERT
- Scan Function
- MONITOR Function
- Roger Beep Tone
- Silent Operation
- Keypad Lock
- Power HI/MED/LO Settings
- Speaker / Microphone Jacks
- Battery Meter / Battery Low Indicator

This device complies with Part 15 of the FCC Rules. Operation is subject to the following two conditions : (1) this device does not cause harmful interference, and (2) this radio must accept any interference that may cause undesired operation.

To maintain compliance with FCC's RF exposure guidelines, for body-worn operation, this radio has been tested and meets the FCC RF exposure guidelines when used with Midland Radio Corp. accessories supplied or designated for this product. Use of other accessories may not ensure compliance with FCC RF exposure guidelines. (Tested with Headset Model: AVP-1)

## **IMPORTANT NOTICE, FCC LICENSE REQUIRED FOR GMRS OPERATION**

The GXT740/785 Series operates on GMRS (General Mobile Radio Service) frequencies which require an FCC (Federal Communications Commission) license. You must be licensed prior to operating on channels 1 - 7 or 15 - 42, which comprise the GMRS channels of the GXT740/785 Series. Serious penalties could result for unlicensed use of GMRS channels, in violation of FCC rules, as stipulated in the Communications Act's Sections 501 and 502 (amended).

You will be issued a call sign by the FCC which should be used for station identification when operating the radio on GMRS channels. You should also cooperate by engaging in permissible transmissions only, avoiding channel interference with other GMRS users, and being prudent with the length of their transmission time.

To obtain a license or ask questions about the license application, contact the FCC at 1-888-CALL FCC or go to the FCC's website:

<http://www.fcc.gov> and request form **605**.

### **Exposure To Radio Frequency Energy**

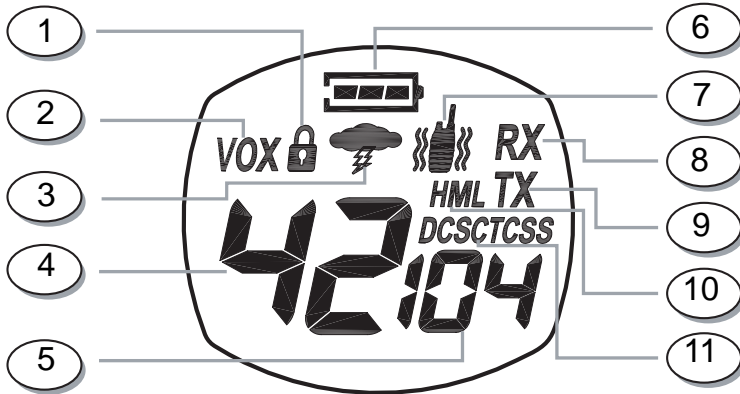
Your Midland radio is designed to comply with the following national and international standards and guidelines regarding exposure of human being to radio frequency electromagnetic energy:

- United States Federal Communications Commission, Code of Federal Regulations: 47 CFR part 2 sub-part J
- American National Standards Institute (ANSI)/Institute of Electrical & Electronic Engineers (IEEE) C95. 1-1992
- Institute of Electrical and Electronic Engineer (IEEE) C95. 1-1999 Edition
- National Council on Radiation Protection and Measurements (NCRP) of the United States, Report 86, 1986
- International Commission on Non-Ionizing Radiation Protection (ICNIRP) 1998

To control your exposure and ensure compliance with the general population or uncontrolled environment exposure limits, transmit no more than 50% of the time. The radio generates measurable RF energy exposure only when transmitting.

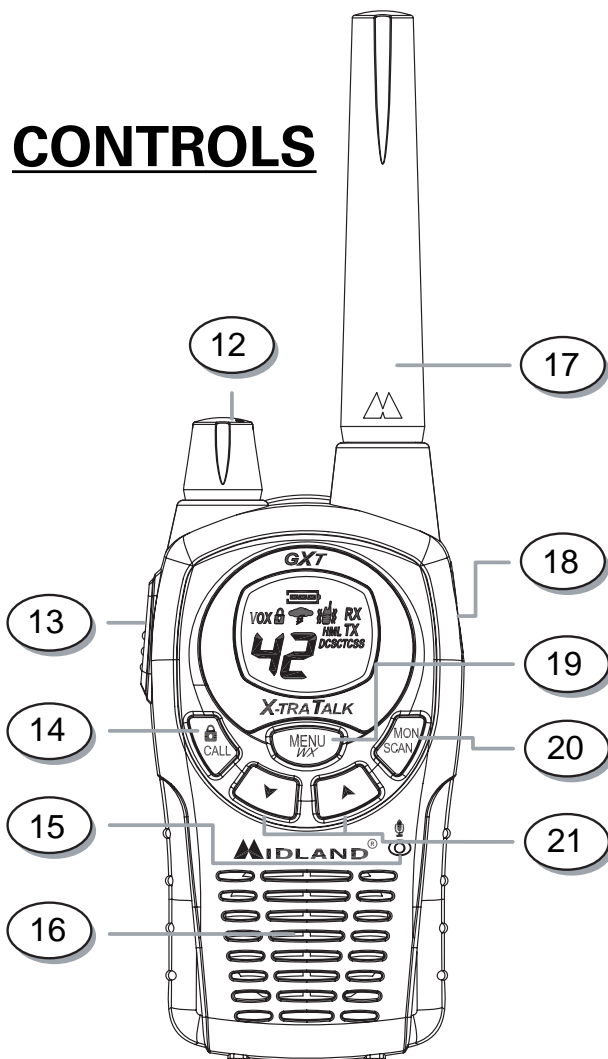
**IMPORTANT:** Changes or modifications to this unit not expressly approved by **MIDLAND RADIO CORP.** could void your right to operate this unit. Your radio is set up to transmit a regulated signal on an assigned frequency. It is against the law to alter or adjust the settings inside the COMMUNICATOR to exceed those limitations. Any adjustment to your radio must be made by qualified technicians.

# LCD DISPLAY



1. **KEY LOCK ICON** – Indicates KEY LOCK mode is on.
2. **VOX ICON** – Indicates when VOX mode is active.
3. **NOAA WEATHER (WX) BAND ICON** – Indicates when the radio is in Weather Band mode.
4. **CHANNEL NUMBER** – Changes from 1~42 on GMRS/FRS band (1~10 on WX band).
5. **PRIVACY CODE** – Indicates Privacy Code selected by user (0F~38/0F~104). It can only be used on Ch 1~22.
6. **BATTERY METER** – Indicates the battery level.
7. **VIBRATE ALERT ICON** – Indicates when the Vibrate Alert feature is on.
8. **RECEIVE (RX) ICON** – Indicates radio is receiving a transmission.
9. **TRANSMIT (TX) ICON** – Indicates radio is transmitting a signal.
10. **TRANSMIT POWER LEVEL ICON** – Indicates TX Power setting (H/M/L)
11. **PRIVACY CODE ICON** – Indicates Privacy Code setting (CTCSS/DCS).

# CONTROLS



12. **POWER/VOLUME KNOB** – Turn clockwise to turn the power on and increase the volume level. Turn counter-clockwise to decrease the volume level and turn the power off.
13. **PTT Button** – Press and hold to transmit voice communication.
14. **CALL/LOCK Button** – Press to send a CALL Alert signal. Press and hold to turn KEY LOCK on/off.
15. **MIC** – Built-in microphone.
16. **SPEAKER** – Built-in speaker.
17. **ANTENNA**
18. **EXTERNAL SPEAKER/MIC JACK.**
19. **MENU/WX SCAN Button** – Press to access Menu mode. Press and hold for 5 seconds to activate the NOAA Weather Scan function.
20. **MONITOR/SCAN Button** – Press to enter SCAN mode. Press and hold to enter MONITOR mode
21. **UP ▲ and DOWN ▼ Button** – Make adjustments in MENU mode.

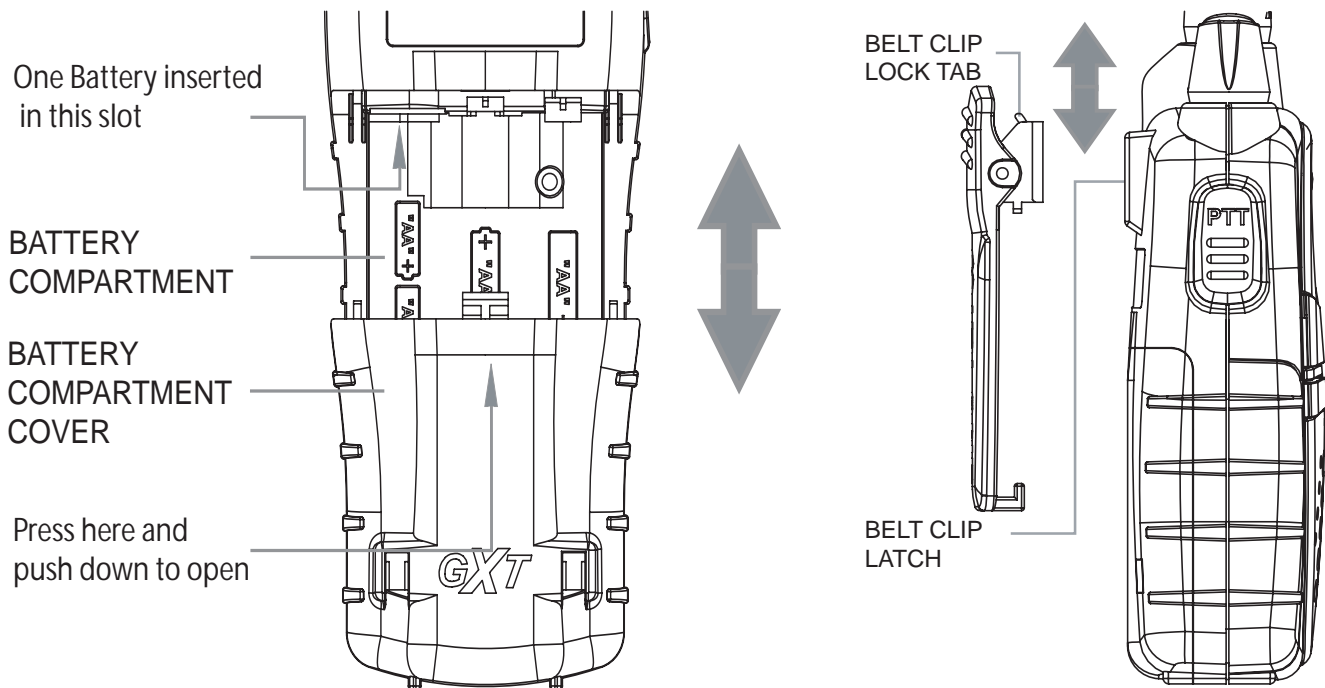


## BATTERY INSTALLATION

Your GXT740/785 Series radio operates with either 4 AA alkaline batteries or an optional NiMH battery pack. The belt clip should be removed (see below) to ease installation or removal of the batteries.

To install the batteries:

1. With the back of the radio facing you, remove the belt clip (see diagram below) for easy access, then remove the Battery Cover by pressing down on the top center and sliding it down from the radio.
2. Insert 4 AA batteries observing the polarity as shown. Installing the batteries incorrectly will prevent the unit from operating or may damage the unit.
3. Return the Battery Cover by sliding it up on the radio. Replace the belt clip, making sure it locks into place.



## INSTALLING THE BELT CLIP

To install the **BELT CLIP**, slide the clip down into the slot on the back of the radio until the **BELT CLIP LATCH** clicks. To remove the **BELT CLIP**, press the **LOCK TAB** down, then gently pull the belt clip up toward the top of the radio.

## **CHARGING THE OPTIONAL BATTERY PACK**

Your GXT740/785 Series is equipped for using an optional rechargeable NiMH battery pack which can be recharged using a desktop charger. Initial charge time is 24 hours with a charge time of 12 hours thereafter. For maximum battery life, we recommend charging the battery pack when the low battery icon comes on. Remove the radios from the charger when the charge time expires.

### **To charge using a Desktop Charger:**



1. Place the rechargeable battery packs in the radios.
2. Connect the AC adapter into an AC wall outlet.
3. Insert the AC adapter plug (or DC Cigarette Lighter adapter if charging in vehicle) into the desktop charger jack.
4. Place the units into the desktop charger slot and note that the LED indicator with **RED** color will light up, indicating charging function.

***In order to ensure that the battery pack is fully charged, it is recommended that the battery pack be charged for at least 12 hours with the radio turned OFF.***



1. Only use our NiMH battery pack.
2. Do not attempt to charge alkaline batteries or any batteries or battery packs other than the one indicated in the manual. This may cause leakage and damage to the radio.
3. For long term storage of the radio, turn the radio OFF and remove the batteries from the radio.

## **BATTERY LEVEL INDICATOR**

Your GXT740/785 Series has a **BATTERY LEVEL METER**  that shows the battery power level. The greater the number of bars visible, the stronger the battery level. When the battery level is low, the **Battery Shell**  icon and “**Lo bt**” will flash in the display indicating your batteries should be replaced or recharged if using a rechar-geable battery pack.



## OPERATING YOUR RADIO

### POWER ON/OFF AND VOLUME

Rotate the **POWER/VOLUME** knob clockwise to turn the radio on and increase the volume level. Rotate the control counter-clockwise to reduce the volume level and to turn the radio off. During Power On, the radio will beep 2 times with different tones, the LCD will display all icons for 1 second and the LCD display will indicate the last channel selected.

### TRANSMITTING AND RECEIVING A CALL

To communicate, all radios in your group must be set to the same channel and Privacy Code.

1. For maximum clarity, hold the radio 2 to 3 inches from your mouth.
2. Press and hold the **PTT** button and speak in a normal voice into the **microphone**. The **TX** icon will appear continuously on the LCD Display while transmitting.
3. To receive a call, release the **PTT** button. The **RX** icon will appear on the display when your radio is receiving a transmission.

### ABOUT RANGE

Your GXT Series radios are designed to give you maximum range under optimum conditions.



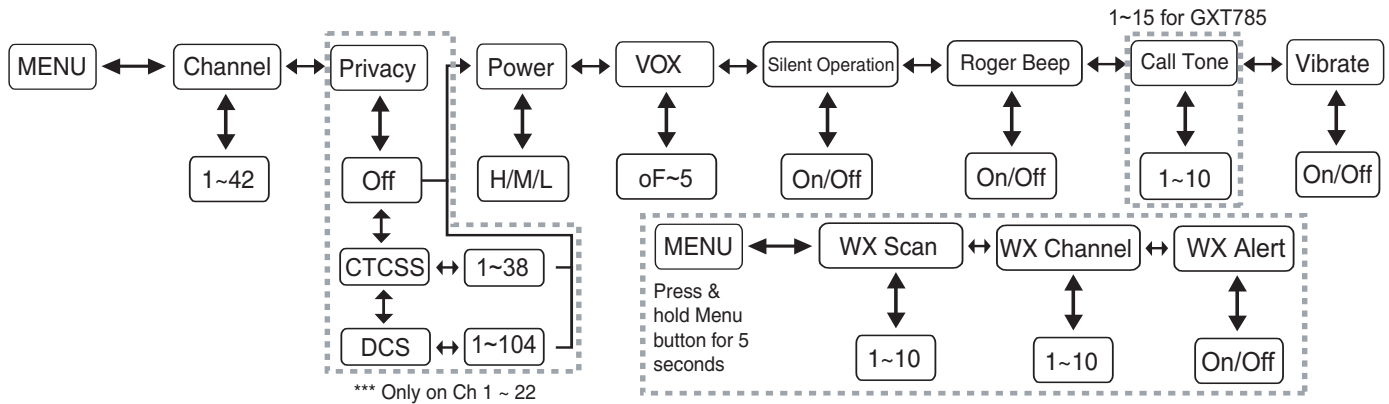
Optimum Conditions are:

- Over water
- Open rural areas without obstructions
- Flat areas where you can see the other person

To ensure you get maximum range:

- Be sure to use fresh or fully charged batteries - low batteries will cause low power conditions
- Be sure you are on a GMRS channel - FRS channels are restricted by the FCC to low power
- Be sure to set your radio to use Hi power.

## GXT740/785 SERIES QUICK REFERENCE CHART



### MONITOR

Pressing and holding the **MONITOR** button for 1 second will let you hear noise so you can adjust the volume level of the radio when not receiving a signal. This should be used to check activity on your current channel before transmitting.

Press and hold the **MONITOR** button for 1 second again to get out of **MONITOR** mode.

### SCAN

Your GXT740/785 Series can scan all 42 channels for activity. To enter, quickly press the **SCAN** button. Repeat the same procedure to exit. Your radio will rapidly scan each of the 42 channels and stop on any active channel. Your radio will resume scanning after 4 seconds when the channel is no longer active.

When you press the **PTT** button to transmit on an active channel, the scanning function will stop and remain on the active channel for 10 seconds before resuming scan when **PTT** button is no longer pressed. To resume scanning, quickly press the **▼/▲** button.

### CALL ALERT

Your GXT740/785 Series can transmit a call alert for a fixed length of time. To send a call alert, press the **CALL** button. The **TX** icon will appear while transmitting a call alert and a tone can be heard on the speaker for confirmation.

The GXT740 has 10 call alert selections while the GXT785 has 15 call alerts including 5 **“animal sound”** call alerts - Cougar, Duck, Crow, Wolf, Turkey.

## **KEYPAD LOCK**

To avoid accidentally changing the radio setting, press the **LOCK** button for 2 seconds. The **KEY LOCK** icon will appear on the display. **PTT** and **CALL** will still be active. Repeat the same procedure to unlock the keypad.

## **DISPLAY ILLUMINATION**

During Power on, the display illumination will activate for approx. 5 seconds. The display illumination can also be activated when the **MENU**, **MON/SCAN**, and ▼/▲ button is pressed.

## **CHANNEL SELECTION (GMRS/FRS BAND)**

Press the **MENU** button once, and then the ▼/▲ buttons to select one of the 42 GMRS/FRS channels. To confirm the selection, press the **PTT** button or press the **MENU** button again to move to the next feature setting.

## **SETTING PRIVACY CODES**


Your GXT740/785 Series has 142 **Privacy Codes** available which can only be used on channels 1~22. The selected **Privacy Code** may be different for each channel. To select a **Privacy Code** for the current channel press the **MENU** button twice, and then the ▼/▲ buttons to select between "**Off/CTCSS/DCS**". Press again the **MENU** button and the ▼/▲ button to select one of the 38 **CTCSS Codes** or one of the 104 **DCS Codes**. The **Privacy Code** icon on the display will indicate whether you set your Privacy Code in **CTCSS** or **DCS** mode. To confirm the selection, press the **PTT** button or press **MENU** button again to move to the next feature setting.

**Note** : If you select any **CTCSS** Privacy Code, any pre-selected **DCS** Privacy Code will be cancelled and vice-versa.



Selecting a Privacy Code of "oF" will disable the Privacy feature. To communicate between two GXT740/785 Series radios, all radios in your group must be set to the same channel and Privacy Code selections. **The Privacy Code can only be set in channels 1~22.**

## TRANSMIT (TX) POWER LEVEL SELECTION

Your GXT740/785 Series has 3 power level settings. To select the power level on channels 1~7, 15~33 and 38~42, press the **MENU** button until a “Pr” icon will appear blinking on the display. Then press the ▼/▲ buttons to select **TRANSMIT POWER LEVEL** icon (**H**: Hi/ **M**: Mid/**L**: Lo). To confirm, press the **PTT** button or press **MENU** button again to move to the next feature setting. **When the Battery Meter drops to 1 bar , the TX Power will automatically switch from Hi(H) or Med(M) to Lo(L) level.**



**Note : You cannot adjust the power setting on the FRS channels (8~14 and 34~37). They are set to Low power per FCC regulations.**

## VOX (Hands-free Transmission)

Your radio has 5 VOX level settings: (**oF/1~5**).

To set **VOX**, press the **MENU** button until the display shows “**VOX**” blinking while on the right of the **CHANNEL NUMBER** display, an “**oF**” icon appears. Select “**1~5**” by pressing the ▼/▲ buttons and push the **PTT** key, or press **MENU** button again to move to the next feature setting.

**VOX** will be more sensitive on the “**1**” setting than on the “**5**” setting.

To turn **VOX** off, press the **MENU** button until the display shows “**VOX**” blinking while on the right of the **CHANNEL NUMBER** display, a “**1~5**” icon appears. Select “**oF**” by pressing the ▼/▲ buttons and push the **PTT** key, or press **MENU** button again to move to the next feature setting.

## SILENT OPERATION

Your GXT740/785 Series has a **SILENT OPERATION** mode. In this mode, all “beeps” and “tones” are disabled.

To turn the **SILENT OPERATION** mode on, press the **MENU** button until the display shows an “**bP**” icon while on the right of the “**bP**” display, an “**on**” icon appears. Select “**of**” by pressing the ▼/▲ buttons and push the **PTT** key or **MENU** button.

To turn the **SILENT OPERATION** mode off, press the **MENU** button until the display shows an “**bP**” icon while on the right of the “**bP**” display, an “**oF**” icon appears. Select “**on**” by pressing the ▼/▲ buttons and push the **PTT** key or **MENU** button.

## **ROGER BEEP (end of transmission) TONE**

When the **PTT** button is released, the radio will beep to confirm to other users that your transmission has finished.

To turn the **ROGER BEEP** tone on, press the **MENU** button until the display shows an “**rb**” icon while on the right of the “**rb**” display, an “**oF**” icon appears. Select “**on**” by pressing the ▼/▲ buttons and push the **PTT** key, or press **MENU** button to move to the next feature setting.

To turn the **ROGER BEEP** tone off, press the **MENU** button until the display shows an “**rb**” icon while on the right of the “**rb**” display, an “**on**” icon appears. Select “**oF**” by pressing the ▼/▲ buttons and push the **PTT** key, or press **MENU** button to move to the next feature setting.

## **CALL ALERT SELECTION**

Your GXT740 Series has 10 selectable **CALL ALERTS** (15 for **GXT785**). To select, press the **MENU** button until a “**CA**” icon appears and to the right of the “**CA**” icon the current **CALL ALERT** setting is displayed. Then press the ▼/▲ buttons to make the **CALL ALERT** selections, the radio will emit a corresponding tone for each selection. To confirm, press the **PTT** button or press **MENU** button to move to the next feature setting.

**Note : GXT785 has 5 additional “Animal Sound” CALL Alerts - Cougar, Duck, Crow, Wolf, Turkey.**

## **VIBRATE ALERT**

To turn the **VIBRATE ALERT** on, press the **MENU** button until the display will show the **VIBRATE ALERT** icon blinking, while on the right of the **CHANNEL NUMBER**, an “**oF**” icon appears. Select “**on**” by pressing the ▼/▲ buttons and push the **PTT** button, or press **MENU** button. The **VIBRATE ALERT** icon will remain on the display.

To turn the **VIBRATE ALERT** off, press the **MENU** button until the display will show the **VIBRATE ALERT** icon blinking, while on the right of the **CHANNEL NUMBER**, an “**on**” icon appears. Select “**oF**” by pressing the ▼/▲ buttons and push the **PTT** button, or press **MENU** button. The **VIBRATE ALERT** icon will go off.



## NOAA WEATHER RADIO/SCAN

Your GXT740/785 Series has a **NOAA WEATHER RADIO** function, to enable user to receive weather reports from designated **NOAA** stations.

Your GXT740/785 Series also has a **NOAA WEATHER SCAN** function, to enable user to scan all the 10 channels of the **NOAA WEATHER RADIO**.

To turn the **NOAA WEATHER SCAN** on, press and hold the **MENU** button for 5 seconds while in **GMRS** mode. The radio will go to **WX Band** mode and start scanning all the 10 channels and stop on any active channel. When the channel becomes inactive for 10 seconds the radio will resume scanning.

To stop the **NOAA WEATHER (WX) SCAN** and set the channel manually on the **WX Band**, press the **MENU** button during **NOAA WEATHER (WX) SCAN**. The radio will stop scanning and the display will show the current **WX Band** channel setting and the **WX Band** icon. While on **WX Band** mode press the ▼/▲ buttons to select one of the 10 **NOAA WEATHER (WX) BAND** channels. To confirm, press the **PTT** button or press **MENU** button to move to the next feature setting.

To turn the **NOAA WEATHER RADIO** off, press the **PTT** button. The current **GMRS/FRS** radio setting will be displayed and the **WX BAND** icon will go off.

## NOAA WEATHER ALERT

Your GXT740/785 has a **NOAA WEATHER ALERT** function, to enable you to automatically receive weather alert from designated **NOAA** stations.

*The **NOAA WEATHER (WX) ALERT** is automatically on during **NOAA WEATHER SCAN** mode.*

To turn the **NOAA WEATHER (WX) ALERT** on during normal **NOAA WEATHER RADIO** mode, press the **MENU** button twice while in **NOAA WEATHER SCAN** mode. The display shows "**AL**", while on the right an "**oF**" icon appears blinking. Select "**on**" by pressing the ▼/▲ buttons. To confirm, press the **PTT** button or press **MENU**. The radio will return to **WX BAND** and the **WX BAND icon** will continue blinking. If the radio receives a **WX ALERT** signal from a designated **NOAA** station while on **GMRS/FRS Radio** mode, the radio will beep for 10 seconds while an "**AL**" and "**In**" icon appear on the display, after which will automatically go to **WX BAND**.



If any button is pressed during beeping while on **GMRS/FRS Radio** mode, the radio will automatically go to **WX BAND**.

To turn the **NOAA WEATHER (WX) ALERT** off, press the **MENU** button twice while in **WX Band**. The display shows "**AL**", while on the right an "**on**" icon appears blinking. Select "**oF**" by pressing the **▼/▲** buttons. To confirm, press the **PTT** button or press **MENU**.



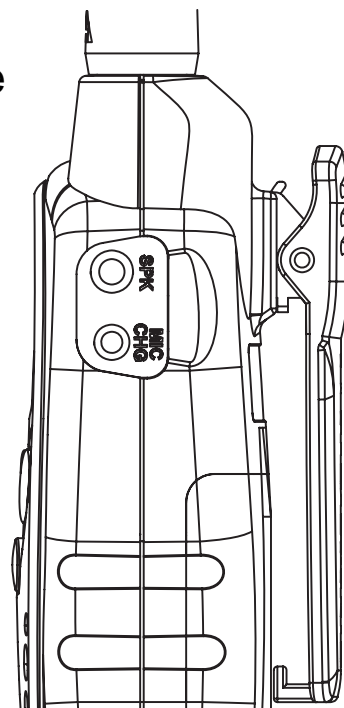
**Note : The WX Alert is automatically ON during WX SCAN mode.**

### **EXTERNAL SPEAKER/MICROPHONE JACK**

Your GXT740/785 Series can be used with an optional external speaker/microphone or headset, freeing your hands for other tasks. To use an optional speaker / microphone or headset:

- Insert the plug(s) into the **SPK/MIC** jacks
- Place the earbud into your ear, and adjust the mic into your desired position.

**Note : You can charge a rechargeable NiMH battery pack thru the CHG Jack (see page 7).**



## TROUBLESHOOTING GUIDE

| <b>PROBLEM</b>                            | <b>SOLUTION</b>  |
|---|--|
| No Power                                  | - Check battery installation and/or replace batteries  |
| Cannot Receive Messages                   | - Confirm the radios have the same channel and Privacy Code settings.<br>- Make sure that you are within range of the other transceivers.<br>- Buildings and other structures may interfere with your communication.<br><b>(See ABOUT RANGE on Page 8)</b> |
| Radio is not responding to button presses | - Make sure key lock is not on. See "Keypad Lock" (Page 10).<br>- Radio might need to be reset. Turn radio off then on.<br>- Ensure accessory microphone is set properly   |
| Display is dim                            | - Recharge or replace batteries.   |
| Charger not functioning                   | - Contacts on the back of the radio may require cleaning.<br>- Ensure the outlet where the charger is plugged into is functioning properly.<br>- Check that the battery pack is installed in the radio properly.   |

### USE AND CARE

1. Use a soft damp cloth to clean the radio
2. **Do not** use alcohol or cleaning solutions to clean the radio.
3. **Do not** immerse the radio in water.
4. Dry the radio with dry lint-free cloth should it get wet.
5. Turn off the radio and remove the batteries during long-term storage.

**If you have a problem which you believe requires service, please call first and speak with a service technician. Many problems can be remedied over the phone without returning the unit for service.**



**SPECIFICATIONS**

**Channels** 42 GMRS/FRS Channels +142 Privacy Codes  
 10 NOAA Weather (WX) Band Channels

**Operating Frequency** UHF 462.5500 ~ 467.7125 MHz

**Power Source** 4 AA Alkaline or 6.0V Rechargeable Ni-MH battery pack

**GMRS/FRS FREQUENCY CHART (MHz)**

| CH. No | CH. Freq. | CH. No | CH. Freq. | CH. No | CH. Freq. |
|--------|-----------|--------|-----------|--------|-----------|
| 1      | 462.5625  | 15     | 462.5500  | 29     |           |
| 2      | 462.5875  | 16     | 462.5750  | 30     |           |
| 3      | 462.6125  | 17     | 462.6000  | 31     |           |
| 4      | 462.6375  | 18     | 462.6250  | 32     |           |
| 5      | 462.6625  | 19     | 462.6500  | 33     |           |
| 6      | 462.6875  | 20     | 462.6750  | 34     |           |
| 7      | 462.7125  | 21     | 462.7000  | 35     |           |
| 8      | 467.5625  | 22     | 462.7250  | 36     |           |
| 9      | 467.5875  | 23     |           | 37     |           |
| 10     | 467.6125  | 24     |           | 38     |           |
| 11     | 467.6375  | 25     |           | 39     |           |
| 12     | 467.6625  | 26     |           | 40     |           |
| 13     | 467.6875  | 27     |           | 41     |           |
| 14     | 467.7125  | 28     |           | 42     |           |

\* Channels 8~14 are low-power FRS license free channels

**NOAA WEATHER (WX) RADIO FREQUENCY CHART (MHz)**

| CH. No | CH. Freq. | CH. No | CH. Freq. |
|--------|-----------|--------|-----------|
| 1      | 162.550   | 6      | 162.500   |
| 2      | 162.400   | 7      | 162.525   |
| 3      | 162.475   | 8      | 161.650   |
| 4      | 162.425   | 9      | 161.775   |
| 5      | 162.450   | 10     | 163.275   |

\* Channel 8,9 and 10 are designated Canadian Marine Frequencies

**CTCSS PRIVACY CODES FREQUENCY CHART (Hz)**

| Code | Freq. | Code | Freq. | Code | Freq. | Code | Freq. | Code | Freq. |
|------|-------|------|-------|------|-------|------|-------|------|-------|
| 1    | 67.0  | 9    | 91.5  | 17   | 118.8 | 25   | 156.7 | 33   | 210.7 |
| 2    | 71.9  | 10   | 94.8  | 18   | 123.0 | 26   | 162.2 | 34   | 218.1 |
| 3    | 74.4  | 11   | 97.4  | 19   | 127.3 | 27   | 167.9 | 35   | 225.7 |
| 4    | 77.0  | 12   | 100.0 | 20   | 131.8 | 28   | 173.8 | 36   | 233.6 |
| 5    | 79.7  | 13   | 103.5 | 21   | 136.5 | 29   | 179.9 | 37   | 241.8 |
| 6    | 82.5  | 14   | 107.2 | 22   | 141.3 | 30   | 186.2 | 38   | 250.3 |
| 7    | 85.4  | 15   | 110.9 | 23   | 146.2 | 31   | 192.8 |      |       |
| 8    | 88.5  | 16   | 114.8 | 24   | 151.4 | 32   | 203.5 |      |       |

Note: Privacy codes can be programmed for use on Channels 1~22 only

## DCS PRIVACY CODE CHART

| No. | CODE | No. | CODE | No. | CODE |
|-----|------|-----|------|-----|------|
| 1   | 023  | 36  | 251  | 71  | 631  |
| 2   | 025  | 37  | 261  | 72  | 632  |
| 3   | 026  | 38  | 263  | 73  | 654  |
| 4   | 031  | 39  | 265  | 74  | 662  |
| 5   | 032  | 40  | 271  | 75  | 664  |
| 6   | 043  | 41  | 306  | 76  | 703  |
| 7   | 047  | 42  | 311  | 77  | 712  |
| 8   | 051  | 43  | 315  | 78  | 723  |
| 9   | 054  | 44  | 331  | 79  | 731  |
| 10  | 065  | 45  | 343  | 80  | 732  |
| 11  | 071  | 46  | 346  | 81  | 734  |
| 12  | 072  | 47  | 351  | 82  | 743  |
| 13  | 073  | 48  | 364  | 83  | 754  |
| 14  | 074  | 49  | 365  | 84  | 036  |
| 15  | 114  | 50  | 371  | 85  | 053  |
| 16  | 115  | 51  | 411  | 86  | 122  |
| 17  | 116  | 52  | 412  | 87  | 145  |
| 18  | 125  | 53  | 413  | 88  | 212  |
| 19  | 131  | 54  | 423  | 89  | 225  |
| 20  | 132  | 55  | 431  | 90  | 246  |
| 21  | 134  | 56  | 432  | 91  | 252  |
| 22  | 143  | 57  | 445  | 92  | 255  |
| 23  | 152  | 58  | 464  | 93  | 266  |
| 24  | 155  | 59  | 465  | 94  | 274  |
| 25  | 156  | 60  | 466  | 95  | 325  |
| 26  | 162  | 61  | 503  | 96  | 332  |
| 27  | 165  | 62  | 506  | 97  | 356  |
| 28  | 172  | 63  | 516  | 98  | 446  |
| 29  | 174  | 64  | 532  | 99  | 452  |
| 30  | 205  | 65  | 546  | 100 | 454  |
| 31  | 223  | 66  | 565  | 101 | 455  |
| 32  | 226  | 67  | 606  | 102 | 462  |
| 33  | 243  | 68  | 612  | 103 | 523  |
| 34  | 244  | 69  | 624  | 104 | 526  |
| 35  | 245  | 70  | 627  | -   | -    |

Note: Privacy codes can be programmed for use on Channels 1~22 only

## **LIMITED WARRANTY**

Midland Radio Corporation will repair or replace, at its option without charge, any Midland FRS/GMRS transceiver which fails due to a defect in material or workmanship within Three Years following the initial consumer purchase. This warranty does not apply to water damage, battery leak or abuse.

Accessories have a 90 day warranty from date of purchase, including any antennas, chargers, or earphones. This warranty does not include the cost of labor for removal or re-installation of the product in a vehicle or other mounting. Performance of any obligation under this warranty may be obtained by returning the warranted product, prepaid freight, along with proof of purchase to:

**Midland Radio Corporation  
Warranty Service Department  
5900 Parretta Drive  
Kansas City, MO 64120**

This warranty gives you specific legal rights, and you may also have other rights, which vary from state to state.

Note : The above warranty applies only to merchandise purchased in the United States of America or any of the territories or possessions thereof, or from a U.S. Military exchange.

**Midland Radio Corporation  
5900 Parretta Drive  
Kansas City, MO 64120  
Tel: (816) 241-8500  
E-mail: [mail@midlandradio.com](mailto:mail@midlandradio.com)  
URL: [www.midlandradio.com](http://www.midlandradio.com)**



**GMRS  
RADIOS**



**MARINE  
RADIOS**



**EMERGENCY CRANK  
RADIOS**



**WEATHER  
RADIOS**



**CITIZEN BAND  
RADIOS**



**CHECK OUT THE OTHER GREAT MIDLAND PRODUCTS AT  
[www.midlandradio.com](http://www.midlandradio.com)**



## ACCESSORIES

Accessories can be purchased at [www.midlandradio.com](http://www.midlandradio.com) or fill in the form on the following page and mail it to our address.

### AVP-1



- 2 Over the Ear Mic. Headsets w/ PTT
- **\$19.99**

### AVP-H4



- 2 Ear Wrap Headset
- **\$39.99**

### AVP-H1



- 1 Open Face Helmet Microphone Kit
- **\$49.99**

### AVP-H5



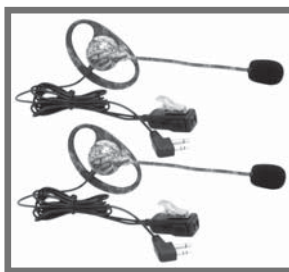
- 2 Behind the Head Headset
- **\$39.99**

### AVP-H2



- 1 Closed Face Helmet Microphone Kit
- **\$49.99**

### AVP-H7



- 2 Mossy Oak Around the Ear Headsets with Boom Mic
- **\$39.99**

### AVP-H3



- 2 Surveillance Headset
- **\$39.99**

### AVP-4



- 1 Dual Desk Charger
- 2 Rechargeable battery packs
- 1 AC Adapter
- 1 DC Cigarette lighter adapter

### AVP-7



- 2 Rechargeable battery packs
- **\$19.99**



# ACCESSORIES ORDER FORM

Please send Money Order or fill in Visa/MasterCard information and mail to the address below. Please **DO NOT** send cash or checks. Make Money Order to Midland Radio Corporation.

**Name:** \_\_\_\_\_

**Address:** \_\_\_\_\_

**City:** \_\_\_\_\_ **State** \_\_\_\_\_ **Zip Code** \_\_\_\_\_

**Tel:** \_\_\_\_\_ **email:** \_\_\_\_\_

**CC#** \_\_\_\_\_ **Type:** \_\_\_\_\_ **Exp.** \_\_\_\_\_

| Qty | Item   | Price   | Total |
|-----|--------|---------|-------|
|     | AVP-1  | \$19.99 |       |
|     | AVP-4  | \$39.99 |       |
|     | AVP-H1 | \$49.99 |       |
|     | AVP-H2 | \$49.99 |       |
|     | AVP-H3 | \$39.99 |       |
|     | AVP-H4 | \$39.99 |       |
|     | AVP-H5 | \$39.99 |       |
|     | AVP-H7 | \$39.99 |       |
|     | AVP-7  | \$19.99 |       |

**Mail To:**  
 Midland Radio Corporation  
 Consumer Dept.  
 5900 Parretta Drive  
 Kansas City, MO 64120  
 -----  
 Or Call 816.241.8500.  
 -----  
 To order online go to  
**[www.midlandradio.com](http://www.midlandradio.com)**

Sub-Total \_\_\_\_\_

Tax (MO, CO, IL, FL only) \_\_\_\_\_

S & H \_\_\_\_\_ \$14.95

(Applies to Domestic U.S. only.  
 For Hawaii, Alaska, and Puerto Rico S&H will be \$36.25 for 1lb and \$64.25 for 2lbs or more).

Total \$ \_\_\_\_\_



**MIDLAND RADIO CORPORATION**

**5900 Parretta Drive  
Kansas City, MO 64120  
Call 816.241.8500**

*visit us at <http://www.midlandradio.com>*

**Note: Features & Specifications are subject to change without notice. MIDLAND is not responsible for unintentional errors or omissions on its packaging.**