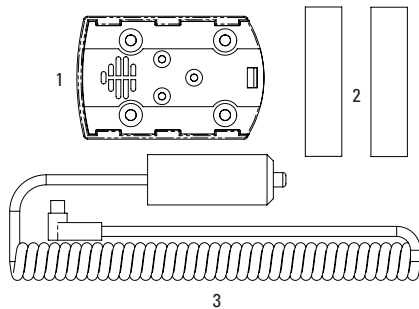


TPX™

**AUTOMOTIVE MOUNT
INSTALLATION**

ADAPTIV™
TECHNOLOGIES

CONTENTS



<i>Item No.</i>	<i>Name</i>	<i>Qty.</i>
1	<i>Mounting Plate</i>	1
2	<i>Hook and Loop Fastener</i>	2
3	<i>Automotive Power Cord</i>	1

This Mount is designed to be used in most cars, light trucks, or SUVs.

1. Locate an available space on the dashboard.
2. Affix the *Mounting Plate* to the dashboard with the supplied *Hook and Loop Fastener* as shown in **Figure 1**.

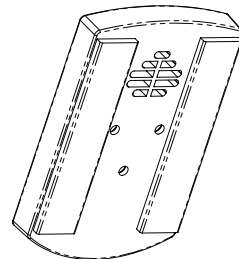


Figure 1

3. Slide the Main Console (sold separately) onto the *Mounting Plate* as shown in **Figure 2**.

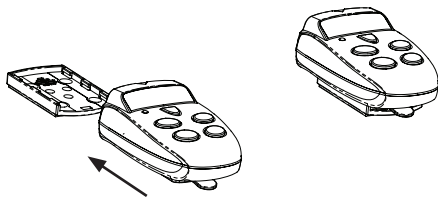


Figure 2

Adaptiv Technologies, LLC

459 Columbus Avenue

Suite 709

New York, NY 10024

www.RadarForBikes.com

866-ADAPTIV

(866-232-7848)



Tip: For optimal performance, the Main Console should be horizontal to the ground and should not be obstructed.



Warning: Verify that the position of the Main Console and Mount will not interfere with proper operation of the vehicle.

4003-00R1