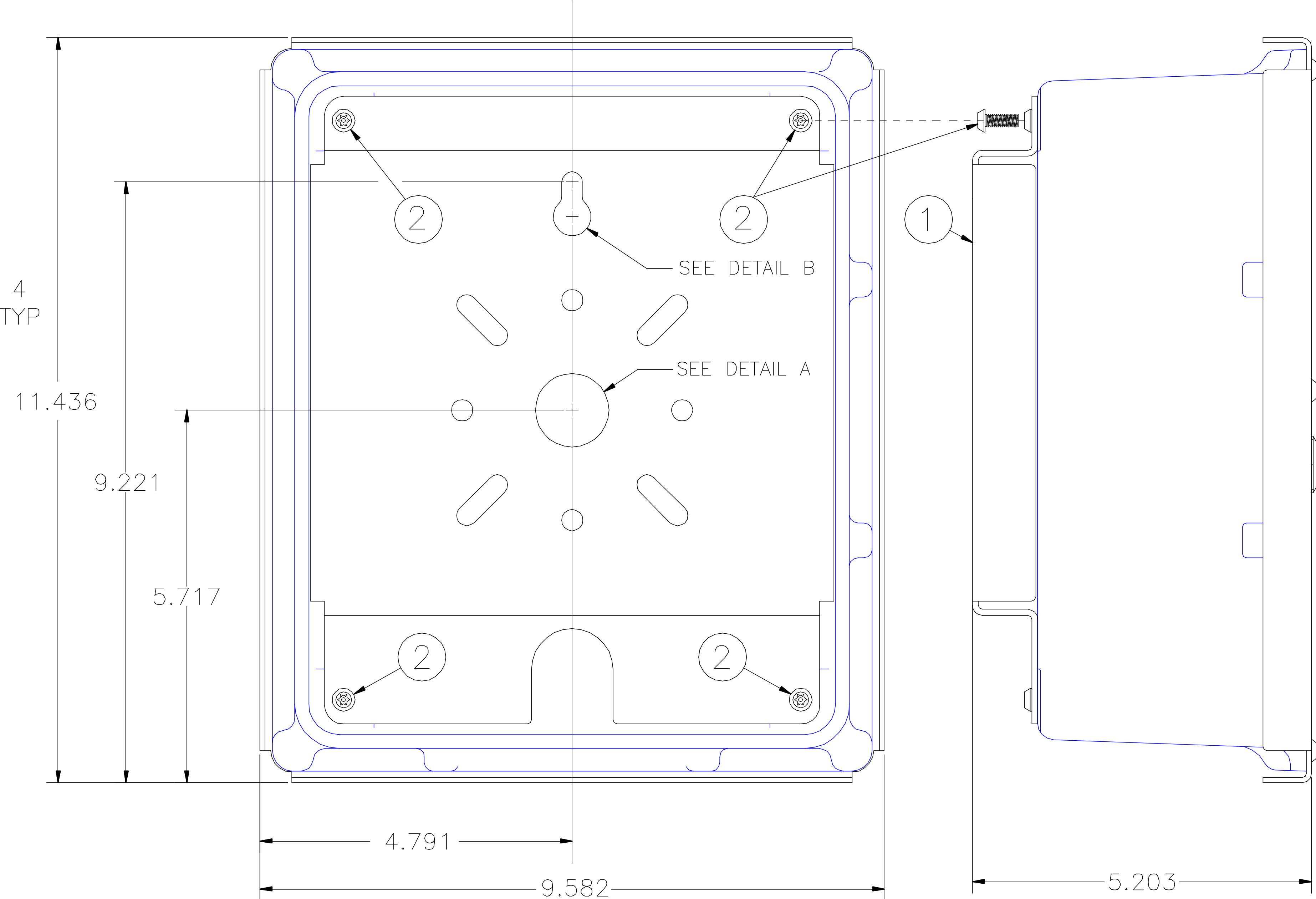
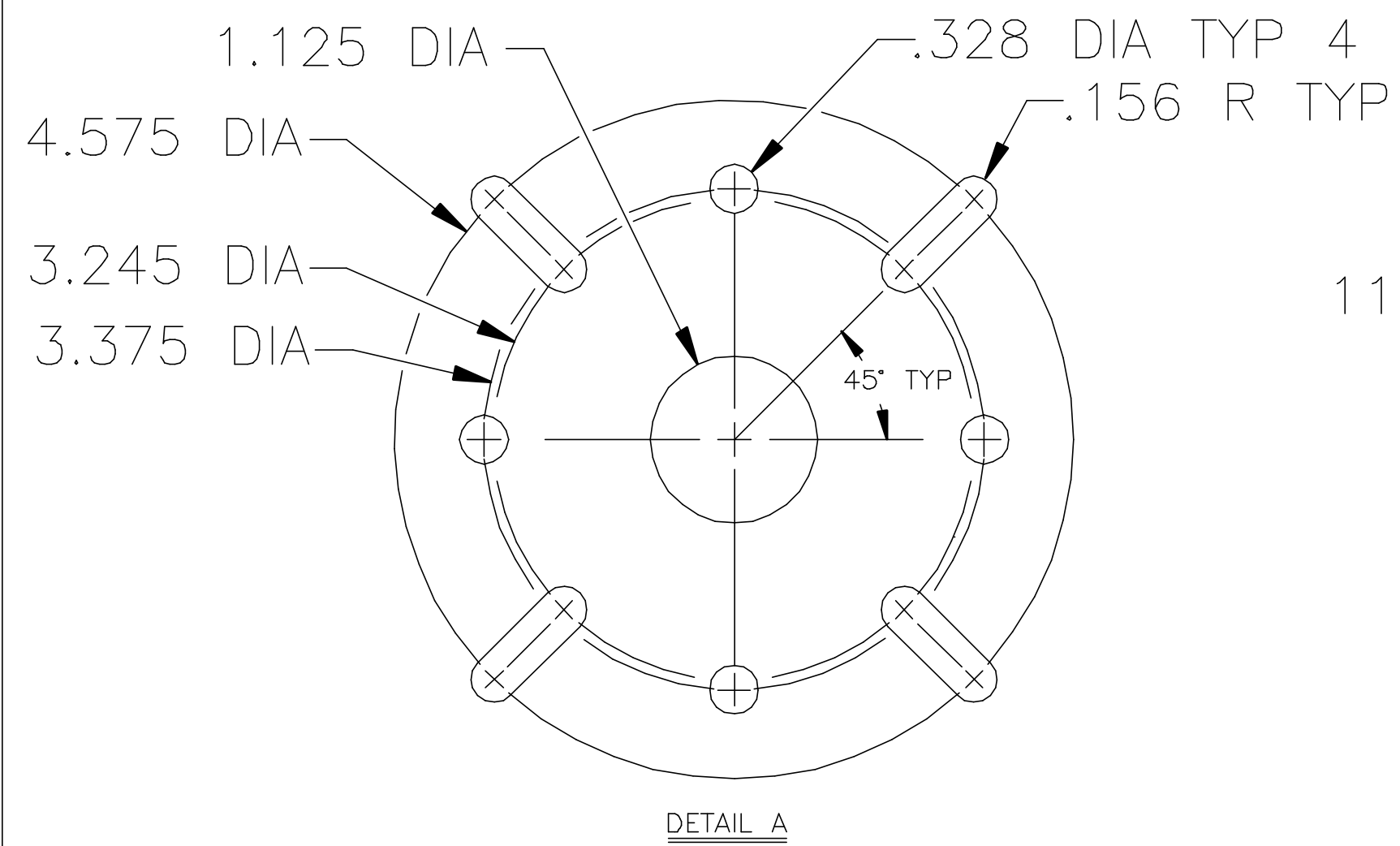
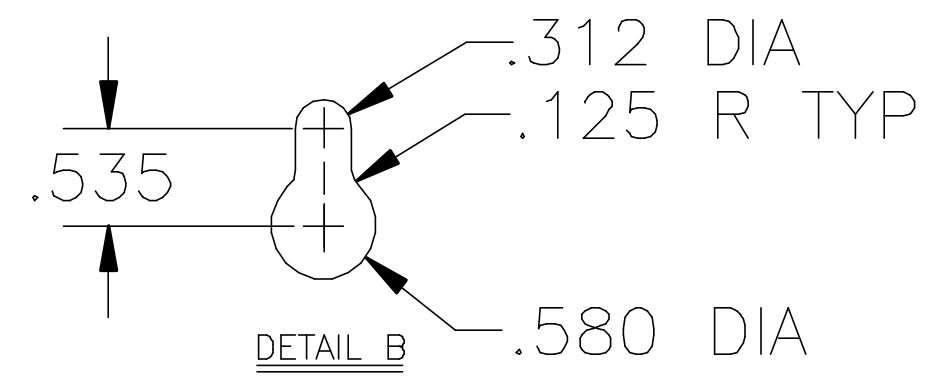


REAR VIEW

LEFT VIEW



CONFIDENTIAL INFORMATION

THIS INFORMATION IS CONFIDENTIAL AND PROPRIETARY TO RITRON INC. IT IS NOT TO BE USED OR DEVULGED TO THE DETRIMENT OF RITRON INC. DEVULGEMENT OF THIS INFORMATION IN ANY FORM MUST BE APPROVED BY THE PRIOR WRITTEN PERMISSION OF RITRON INC.

① RQX-XTMK-GN MOUNTING PLATE

② #10-32 X .500 LONG SECURITY HEAD T-25 TORX SCREW QUANTITY FOUR PER ASSEMBLY

FOR REFERENCE ONLY

REV. A	UNLESS OTHERWISE SPECIFIED DIMENSIONS ARE IN INCHES	APPROVALS	DATE	RITRON INC. 505 W. CARMEL DR., CARMEL, IN 46032	
RELEASED FOR REF. 5/6/11	TOLERANCES ARE: (EXCEPT AS NOTED) FRACTIONS	DRAWN G.KING	5/6/11	RQX-XTMK-GN XT GOOSE NECK PLATE MOUNTING	
	DECIMALS	CHECKED		SIZE	USED ON
	ANGLES	ISSUED		D	RQX-XTMK-GN
		MATERIAL		DWG NO.	REV. A
		FINISH		RQX-XTMK-GN	
		DO NOT SCALE DRAWING	SCALE X:X	FILE NO. RQX-XTMK-GN.DWG	SHEET 1 OF 1