

TWO-WAY RADIO MODEL ACXT345

Printed in China
Part No. K2M-ML36305-12B
English

Nothing Comes Close to a Cobra®

Introduction

Making Life Easier and Safer

Staying in touch with your family and friends is convenient and easy when using your microTALK® radio. Some of the many uses you will discover include:

Communicating with others while hiking, biking, and working; keeping track of family and friends at a crowded public event; checking with travel companions in another car; talking with neighbors; arranging meeting spots with others while shopping at the mall.

Belt Clip Secure your microTALK® radio while on the go. Carrying your microTALK® radio with you is easy when using the belt clip or optional wrist strap. The belt clip easily attaches to your belt, purse, or backpack.

Customer Assistance

Product Service & Support

For any questions about operating this new Cobra branded product, PLEASE CONTACT US FIRST... do not return this product to the retail store. The contact information for support will vary depending on the country in which you purchased and utilize the product.

To obtain warranty service or other information for products purchased from Altis itself or through its authorized reseller or agent and utilized in the U.S.A., please call our consumer support line at (866) 721-3805, or email us at support@altistec.com. You will receive instructions on how to ship the products at your expense to an Altis Global Limited Authorized Service Center. To obtain service, you must include: (a) a copy of your receipt, bill of sale or other comparable proof of purchase; (b) a written description of the problem; and, most importantly; (c) your address and telephone number.

For warranty and customer service information outside the US, please contact your local dealer.

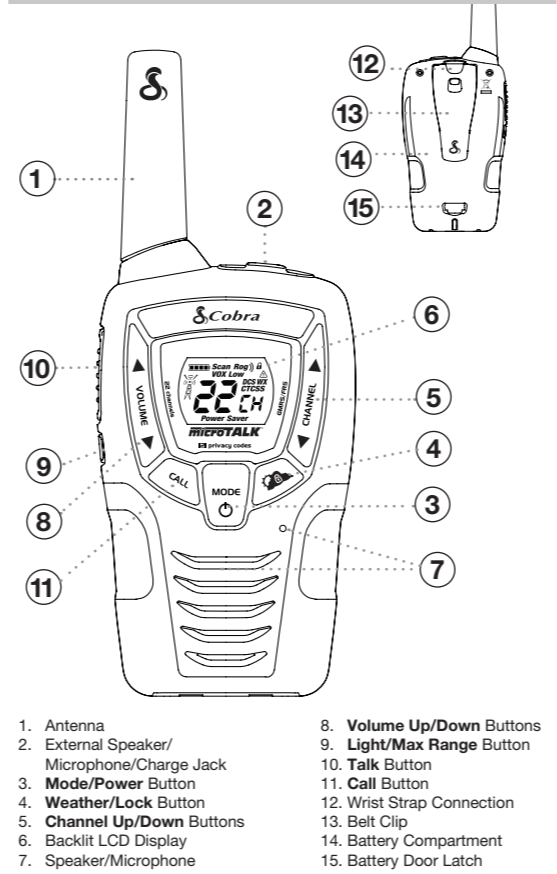
For further information needed on its features, please visit www.cobrawalkietalkie.com for frequently asked questions and the electronic manual.

©2018 Altis Global Limited, Atlanta, GA USA.
www.cobrawalkietalkie.com

A-1

Introduction

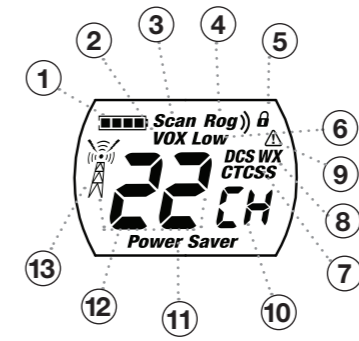
Product Features



1. Antenna
2. External Speaker/Microphone/Charge Jack
3. Mode/Power Button
4. Weather/Lock Button
5. Channel Up/Down Buttons
6. Backlit LCD Display
7. Speaker/Microphone
8. Volume Up/Down Buttons
9. Light/Max Range Button
10. Talk Button
11. Call Button
12. Wrist Strap Connection
13. Belt Clip
14. Battery Compartment
15. Battery Door Latch

A-2

Backlit LCD Display



Features

- 22 Channels
- 10 Channel NOAA All Hazards Radio
- Weather Alert
- 121 Privacy Codes (38 CTCSS codes/ 83 DCS codes)
- Hands-Free Operation (VOX)
- Scan Channels, privacy codes
- Backlit LCD Display
- Call Alert Five selectable tones
- Button Lock
- Speaker/Microphone/Charge Jack
- Roger Beep Selectable On/Off
- Battery/Power Saver
- Keystroke Tones
- Battery Level Indicator Extender
- Auto Squelch
- Maximum Range
- Belt Clip

1. Battery Level Indicator
2. VOX Icon
3. Scan Icon
4. Roger Beep Icon
5. Lock Icon
6. Low Power Icon
7. DCS/CTCSS Icons
8. Weather Icon
9. Weather Alert Icon
10. DCS/CTCSS Privacy Code Numbers
11. Power Saver Icon
12. Channel Numbers
13. Receive/Transmit Icon

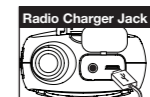
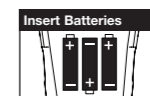
Maximum range may vary and is based on unobstructed line-of-sight communication under ideal conditions.

A-3

Caring for Your microTALK® Radio

Your microTALK® radio will give you years of trouble-free service if cared for properly. Handle the radio gently. Keep the radio away from dust. Never put the radio in water or in a damp place. Avoid exposure to extreme temperatures.

Installing Batteries



- To install or replace batteries:**
1. Remove belt clip by releasing belt clip latch and sliding clip up.
 2. Pull up on the battery door latch to remove the battery compartment cover.
 3. Insert the supplied three AA rechargeable batteries or non-rechargeable alkaline batteries. Position batteries according to polarity markings.
 4. Replace battery compartment cover and belt clip.
 - Do not attempt to charge alkaline batteries.
 - Do not mix old and new batteries.
 - Do not mix alkaline, standard (carbon-zinc), or rechargeable (Ni-Cd, Ni-MH, etc.) batteries.

To charge batteries in radio:

1. Check to see that the batteries have been inserted properly.
2. Insert the cable into the charge jack located at the top of the radio.
3. Plug the cable into USB-compatible power port.

Use only the supplied rechargeable batteries and charger for recharging your Cobra microTALK® radio.

Cobra recommends your radio is turned off while being charged.

It normally takes about 15 hours to fully charge the batteries.

Non-rechargeable alkaline batteries can also be used in your radio.

Operation

Using Your Radio

Quick Start

1. Press and hold the Mode/Power button to turn on your radio.
2. Press the Channel Up or Channel Down button to select a channel.

Both radios must be tuned to the same channel/privacy code to communicate.

3. Press and hold the Talk button while speaking into the microphone.
4. When finished talking, release the Talk button and listen for a response.

Turning on Your microTALK® Radio

Press and hold the Mode/Power button until you hear a series of audible tones indicating the radio is on. Your microTALK® radio is now in Standby mode, ready to receive transmissions. The radio is always in Standby mode except when the Talk, Call or Mode/Power buttons are pressed.

Battery Status Indicator

The battery charge status is shown on the display. Four bars indicates fully charged.

2

Battery Low

When battery power is low, the final bar in the Battery Low icon will blink and an audible tone will sound twice before the radio shuts off. Your batteries should be replaced or recharged, if using rechargeable batteries.

The radio will display flashing battery icon while charging if the radio is on.

Auto Battery Save

If there are no transmissions within 10 seconds, the radio will automatically switch to Power Save mode and the Power Saver icon will flash in the display. This will not affect the radio's ability to receive incoming transmissions.

Communicating with Another Person

1. Press and hold the Talk button.
2. With the microphone about two inches (5 cm) from your mouth, speak in a normal voice.
3. Release the Talk button when you are finished talking and listen for a response.

You cannot receive incoming calls while pressing the Talk button.

Both radios must be tuned to the same channel to communicate.

To Select a Channel

With the radio on, select any of the 22 channels by pressing the Channel Up or Channel Down button.

Both radios must be tuned to the same channel to communicate.

Channel Number

See page 14 for frequency allocations.

3

Listening for a Response

Release the Talk button to receive incoming transmissions. Your microTALK® radio is always in Standby mode while the Talk or Call buttons are not pressed.

To Adjust Volume

Press the Volume Up or Volume Down button.

A double beep sound is used to indicate the minimum and maximum volume levels (1 through 8).

Call Button

Press and release the Call button.

The other person will hear a three second call tone. This tone is used only to establish voice communications.

See page 11 on how to select between five call tone settings.

To Illuminate Display

Press and release the Light/Max Range button to illuminate the display.

Auto Squelch/Maximum Range

Your microTALK® radio will automatically shut off weak transmissions and unwanted noise due to terrain, conditions or if you've reached your Maximum Range limit.

You can temporarily turn off auto squelch or turn on maximum range extender, allowing all signals to be received and extending the maximum range of your radio.

4

Light/Max Range

To temporarily turn off auto squelch: Press the Light/Max Range button for less than five seconds.

To turn maximum range extender on: Press and hold the Light/Max Range button for at least five seconds until you hear two beeps which indicates the maximum range extender is on.

To turn maximum range extender off: Press and release the Light/Max Range button or change channels.

Lock Function

The Lock function locks the Channel Up, Channel Down and Mode/Power buttons to prevent accidental operation.

To turn the lock on or off: Press and hold the Lock button for two seconds.

A double beep sound is used to confirm your lock on or off request. When in Lock mode, the Lock icon will be displayed.

microTALK® Range

Your range will vary depending on terrain and conditions.

Maximum Range In flat, open country your radio will operate at maximum range. Buildings and foliage in the path of the signal can reduce the range of the radio.

Reduced Range Dense foliage and hilly terrain will further reduce the range of the radio.

On Channels 8 through 14, your radio automatically switches to low power, which will limit the range the radio can communicate.

Remember, you can achieve maximum range by using maximum range extender. See page 4 for details.

A-3

Operation

Mode Functions

By scrolling through the Mode function, you will be able to select or turn on preferred features of your microTALK® radio. When scrolling through the Mode function, your radio features will be displayed in the same predetermined order:

Mode/Power

- Set CTCSS Privacy Codes
- Set DCS Privacy Codes
- Set Vox On/Off
- Set Vox Sensitivity
- Set Channel Scan
- Set CTCSS Privacy Code Scan
- Set DCS Privacy Code Scan
- Set Call Tones
- Set Roger Beep On/Off

Privacy Codes

Your microTALK® radio incorporates two advanced coded squelch systems that can help to reduce interference from other users on any given channel. CTCSS (Continuous Tone Coded Squelch System) provides 38 privacy codes and DCS (Digitally Coded Squelch) provides 83 privacy codes. This provides a total of 121 Privacy Codes. Either system can be used on all channels, but both systems cannot be used on the same channel at the same time.

To successfully communicate using a privacy code, both the sending and receiving radios must be tuned to the same channel and to the same privacy code system (CTCSS or DCS) and privacy code number. Each channel will remember the last privacy code system and number you select.

The privacy code 00 is not a privacy code, but allows all signals to be heard on a channel that is set to 00 on both the CTCSS and DCS systems.

Mode Functions (continued on back side)

5

